

Prone Stander

E930, E940 & E950 Product Manual



CE


 rifton®


Contents

Check your order	3
Warnings and important information	4
Recommended use	5
User and item dimensions	5
Small Prone Stander frame (E930)	
Mainboard	6
Footboard	7
Knee board	7
Medium Prone Stander frame (E940)	
Mainboard	8
Footboard	9
Large Prone Stander frame (E950)	
Mainboard	10
Footboard	11
Accessories	
Abductors	12
Tray	15
Hand anchor	16
Sandals & wedges	17
Operation	18
Maintenance	19
Cleaning	19
Materials	19
User modifications	19

Key for EU users

Use this key to determine which sections of this product manual apply to you.

 **Technical Users** For professionals who order and set up Rifton products.

 **Home Users** For caregivers who use Rifton products on a regular basis.

 **Maintenance Personnel** For anyone who is responsible for service or reordering of Rifton products and parts.

Check your order

This product is shipped in a single carton. The carton contains:

1. Prone Stander (includes: pair of lateral support blocks, hip strap, and footboard).
2. Tray (if ordered).
3. Carton containing footboard (E950 only) and accessories for the Prone Stander.
4. This product manual.

You may not have ordered all of the available accessories, but use the following diagrams to make sure your order is complete.

If your shipment is incomplete or in any way damaged on arrival, please call Customer Service, 800.571.8198.

WARNINGS

- Thoroughly read and understand the information in this product manual before attempting to use this product. If the procedures and instructions in this manual are not followed, serious injury could occur.
- A qualified professional must assess the appropriateness and safety of all equipment for each user.
- Correct use of this product requires the prior approval and ongoing guidance of a qualified therapist or physician.
- This product is intended for use by children of immature judgment. Adult supervision is required at all times.
- Do not use this product on rough and uneven terrain, around swimming pools, or near stairways.
- All mobility equipment may become unstable when used improperly.
- Straps and supports are provided for the safety of the user and must be carefully adjusted for comfort and security. The use of straps and supports must be supervised at all times.
- Restraints – Using straps, trays or supports to restrict a child’s movement is considered behavioral restraint, which may raise ethical and legal issues for your facility. Rifton Equipment is not intended for this use.
- Intended for indoor use only
- Stabilize Prone Stander before transferring or mounting user to prevent rolling or unexpected movement during the transfer process. Using your foot, lock all four caster wheels by setting locks to “ON” position. For added safety, it may be wise to have two adults assist with transfers in or out of the Prone Stander.

IMPORTANT

- Please save this product manual. Additional copies are available at www.rifton.com
- Please refer to the Rifton product catalog for our full warranty, or visit www.rifton.com

Recommended use

 The Prone Stander is not recommended for use as a transportation device.

The Prone Stander provides the benefits of weight-bearing in an upright posture, abdomen toward the main board. Adjustable supports promote proper alignment of trunk and lower extremities. Board tilts from vertical to horizontal with a crank. The tray provides a convenient space for learning and play materials, and for eating. Adjustment permits the tray to be set level, independent of the angle of the stander, or to be used easel-style.

User and item dimensions

User dimensions (inches)	small	medium	large
Height	25–48 (64–122)	44–59 (112–150)	57–72 (145–183)



Key user dimension: height

Select the appropriate Prone Stander by the user's overall height. Choose the model that allows for growth.

Important: User's weight must not exceed the maximum working load.

Dimensions – inches (cm)	E930 small	E940 medium	E950 large
Board length	23½ – 16 without kneeboard 60 – 41 without kneeboard	30 (76)	39 (99)
Board width (top/bottom)	12½ / 12½ (32 / 32)	11 / 16 (28 / 41)	15 / 19 (38 / 48)
Top of board to footboard	18–35 (46–89)	33–43½ (84–110)	42–55 (38 / 48)
Height when horizontal	29½ (75)	29½ (75)	31½ (80)
Height when vertical	38½ (98)	45½ (116)	60 (152)
Distance between lateral supports	8–16 (20–41)	8–16 (20–41)	12–22 (30–56)
Base width	24 (61)	26 (66)	30 (76)
Base length	35 (89)	39 (99)	43 (109)
Tray inside width (widest point)	22½ (57)	22½ (57)	29½ (75)
Tray inside length	17½ (44)	17½ (44)	17½ (44)
Max. working load (lbs)	100 (45)	150 (68)	200 (91)

Small Prone Stander frame (E930)

Mainboard

Trunk lateral support blocks

Lateral support blocks (A) ship in reverse position.

To reposition support blocks:

- Loosen knobs (C) and slide blocks out from under the clamp.
- Rotate blocks into correct position and replace them under the clamp.
- Retighten knobs (see Figure 6b).

Use knobs (C) to adjust support blocks laterally and vertically, and to pivot blocks approximately 30°.

Make sure support blocks are clear of tray when adjusting board angle.

Support straps

To reposition support straps (B):

- Loosen knobs (D).
- Slide straps up or down.
- Retighten knobs.

Board positioning

The mainboard, knee board, and footboard slide independently on a tubular steel track, clamping with knobs (E).

Board tilt

The angle of the board is controlled by a handcrank (F). This sets the board at any angle from horizontal to vertical. Adjustments can take place at any time once the user is secure.

The board position indicator (G) is a direct angle indicator that is mounted at the pivot point.

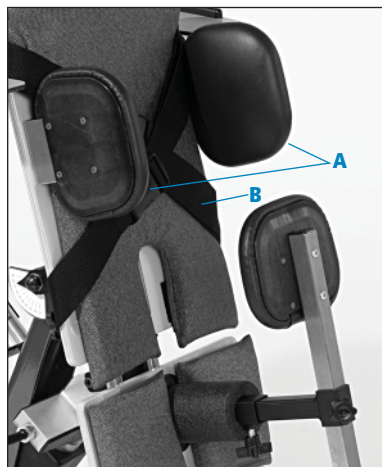


Figure 6a. Mainboard of E930 Prone Stander, with round abductor with hip stabilizer installed.

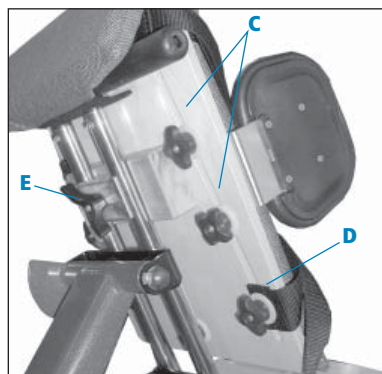


Figure 6b

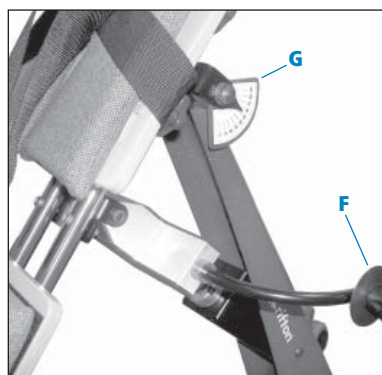


Figure 6c

Footboard

The footboard is shipped in reverse position on the tube. Reposition by removing knob (A) and clamp (B). Rotate footboard into correct position, replace clamp and knob and re-tighten.

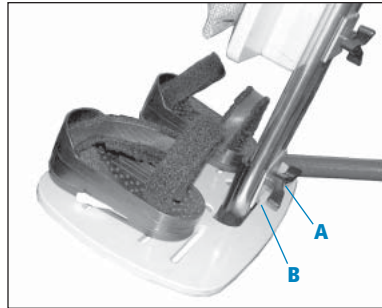


Figure 7a

Knee board

The knee board can be removed for use with the smallest children. Loosen knob (C) until the plated clamp can rotate 90°, freeing the knee board. If Abductors were used on the knee board replace them to the mainboard. Lower the mainboard to its lowest position, and bring the footboard up so that the top of the mainboard will reach the user's chest.

Note: When replacing the knee board, wooden clamp block goes down, and the slot for abductors up (see Figure 7b).

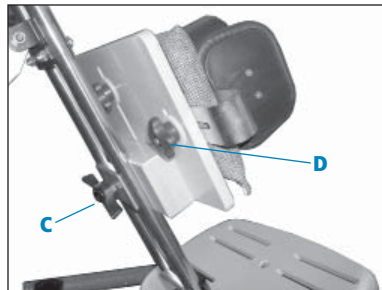


Figure 7b

Knee lateral support blocks

Attach the knee lateral support blocks by loosening knobs (D) and re-tightening behind board.

Knee lateral support blocks can be adjusted vertically using knobs (D).



Figure 7c. The knee board is shown here with knee lateral support blocks and round abduction block. Abduction blocks can be attached on the mainboard or on the knee board.

Medium Prone Stander frame (E940)

Mainboard

Trunk lateral support blocks

Support blocks (A) ship in reverse position.

1. To reposition support blocks:

- Loosen knobs (c) and slide blocks out from under the clamp.
- Rotate blocks into correct position and replace them under the clamp.
- Retighten knobs (see Figure 8b).

2. Extra set of support blocks are installed in the same manner

Use knobs (C) to adjust support blocks laterally and vertically, and to pivot blocks approximately 30°.

Make sure support blocks are clear of tray when adjusting board angle.

Hip straps

Hip straps (B) attach with knobs (D), sliding up and down slots for best location. Straps can be positioned above or below support blocks.

Board position

The mainboard slides independently on a tubular steel track, clamping with knobs (E).

Board tilt

The angle of the board is controlled by a handcrank (F). This sets the board at any angle from horizontal to vertical. Adjustments can take place at any time once the user is secure.

The board position indicator (G) is a direct angle indicator that is mounted at the pivot point.

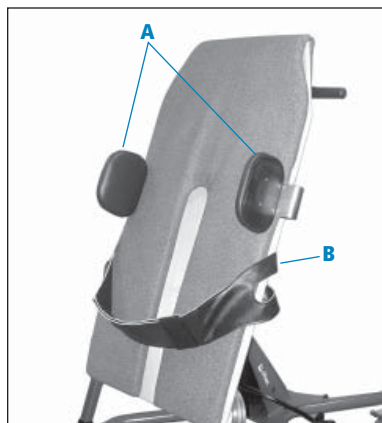


Figure 8a

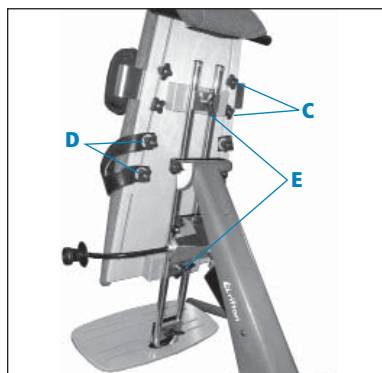


Figure 8b

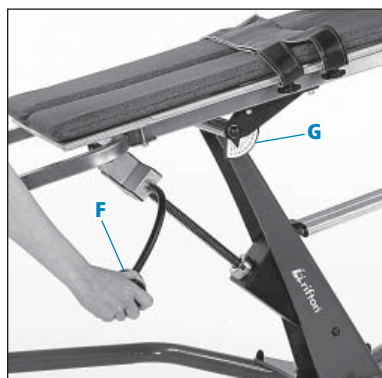


Figure 8c

Footboard

The footboard is shipped attached in reverse position to the stander. Reposition by removing knob (A) and clamp (B). Rotate footboard into correct position, replace clamp and knob and retighten.

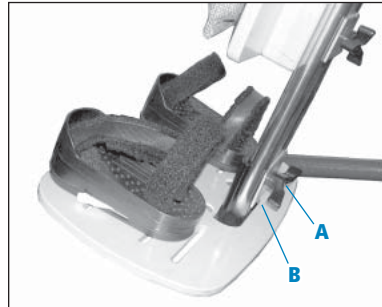


Figure 9a

Large Prone Stander frame (E950)

Mainboard

Trunk lateral support blocks

Support blocks (A) ship in reverse position.

1. To reposition support blocks
 - Loosen knobs (c) and slide blocks out from under the clamp.
 - Rotate blocks into correct position and replace them under the clamp.
 - Retighten knobs (see Figure 10b).
2. Extra set of support blocks are attached in the same manner.

Use knobs (C) to adjust support blocks laterally and vertically, and to pivot blocks approximately 30°.

Make sure support blocks are clear of tray when adjusting board angle.

Hip straps

Hip straps (B) clamp with knobs (D), sliding into slots for best location. Straps can be positioned above or below support blocks.

Board tilt

The angle of the board is controlled by a handcrank (F). This sets the board at any angle from horizontal to vertical. Adjustments can take place at any time once the user is secure.

The board position indicator (G) is a direct angle indicator that is mounted at the pivot point.

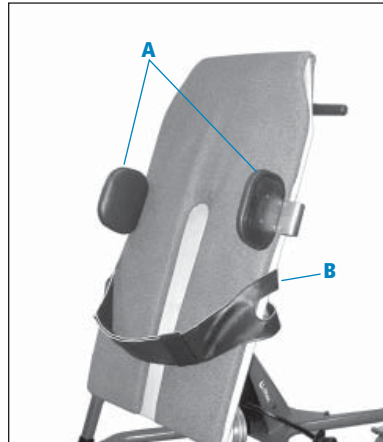


Figure 10a

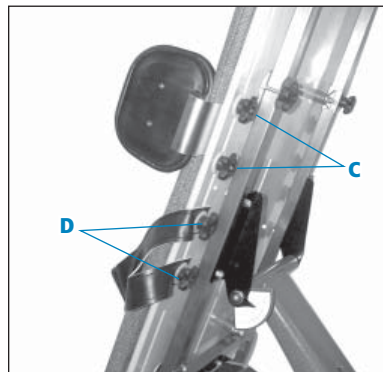


Figure 10b

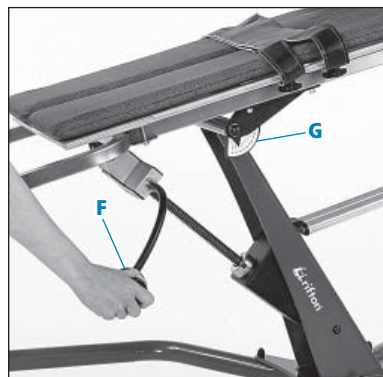


Figure 10c

Footboard

Unpack footboard. Slide it up from the bottom onto square tubing of frame, pushing spring buttons (A) at ends of frame legs so that footboard tubes slide over them.

Note: Single slot on footboard should face out, away from mainboard.

The footboard adjusts vertically, sliding on the square tubing of the frame. Spring buttons (A) in the frame click into holes on the footboard tube to lock it at different heights.



Figure 11a

Accessories

Abductors

Round abduction block

To attach the round abduction block, remove the knob and place abductor where appropriate. Re-tighten knobs securely.

Depending on the need of the user, the positioning of the abduction block will vary greatly. Check the range of adjustment before positioning the user.



Round abduction block

Collar for round abduction block

To attach the collar to the round abduction block, wrap around and fasten snaps.

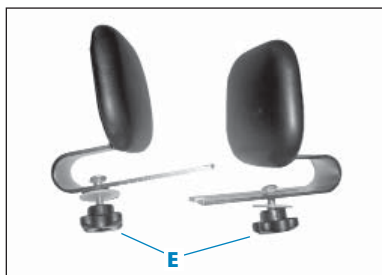
Knee lateral support blocks

Attach the knee support blocks by loosening knobs (E) and re-tightening behind board, with washer between knob and board.

Knee support blocks can be repositioned using knobs (E).



Collar for round abduction block



Knee lateral support blocks

**Adjustable abduction wedge
with hip stabilizer
(E940 & E950)**

Remove knobs (B) and washers from threaded studs with knob (D) pointing down. Slide threaded studs through appropriate slot in board. Replace knobs and washers on threaded studs underneath board and tighten firmly.

To adjust the height of the hip positioner, loosen knob (C), slide hip stabilizer to proper position and tighten knob (see figure 4).

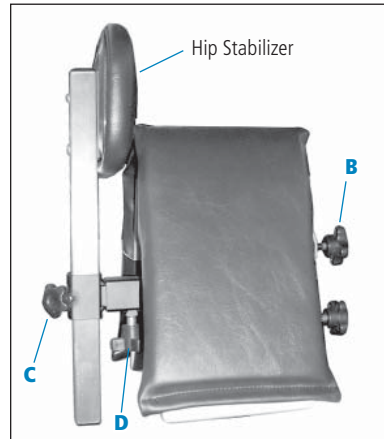
To adjust the hip stabilizer front to back loosen knob (D), slide hip stabilizer in and out as needed and tighten knob.

Adjust the amount of abduction by screwing or unscrewing adjustment screws underneath the wings of the adjustment wedge.

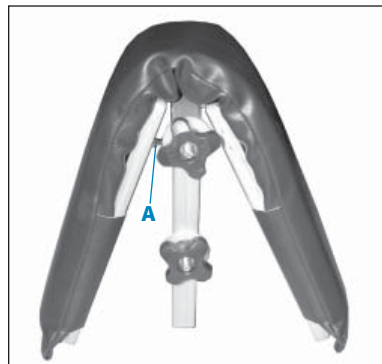
**Adjustable abduction wedge
(E940 & E950)**

To attach the adjustable abduction wedge to your product, remove the knob and one washer off each threaded stud. Place the abduction wedge in the appropriate slot with one washer on each threaded stud between the abduction wedge and the Prone Stander. Replace washers and knobs on the threaded studs underneath board and tighten securely.

To adjust the amount of wedge abduction, raise one wing of the wedge to expose the adjustment screw (A). Turn screw out to increase abduction. Raise the second wing and adjust it in the same way.



Adjustable abduction wedge with hip stabilizer



Adjustable abduction wedge

**Round abductor with hip stabilizer
(E930 & E940)**

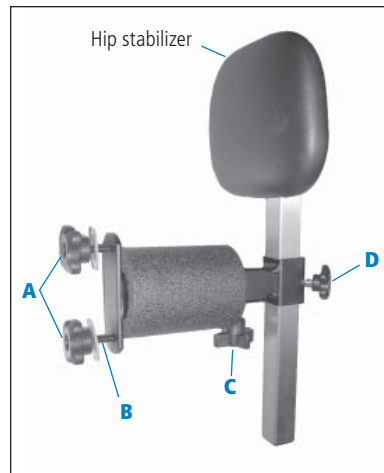
Remove knobs and washers (A). Insert the two bolts (B) into the Prone Stander where appropriate, with knob (C) pointing down. Replace washers and knobs behind the board and re-tighten.

Adjust vertically using knobs (A).

Move hip stabilizer horizontally by loosening and securing knob (C). Vertical adjustments to the hip stabilizer are controlled by knob (D).

The round abductor with hip stabilizer may be attached to the board before or after positioning the user. Once attached, the hip stabilizer can be removed for easy transfers by loosening knob (D).

Position the abductor between the thighs above the knees. The proper position for the hip positioner is at the back of the hips (sacral area), snug enough to keep the hips against the board.



Round abductor with hip stabilizer

Tray

Attaching the tray

(see Figures 15a, 15b & 15c)

1. Lock the casters.
2. Turn the handcrank until the prone stander is nearly vertical.
3. Hold the tray in front of you with the adjustable brace (A) down.
4. Place the hook (B) into the slot on the mast of the stander.
5. Hold the tray by the latches and pull latch handles out (C). Clip latches into ends of black tubular cross piece (D) at the top of mainboard.
6. Make sure that tray is securely fastened and latches are clipped in place.

Adjusting the tray

Use knob (A) to adjust the angle of the tray. Be sure to tighten knob securely after adjusting.

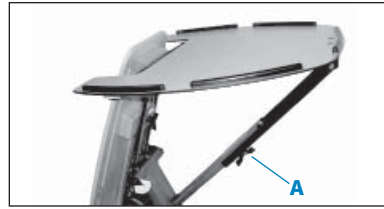


Figure 15a 9

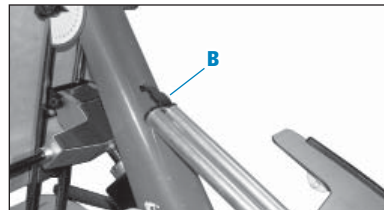


Figure 15b. Tray hook going into slot on mast

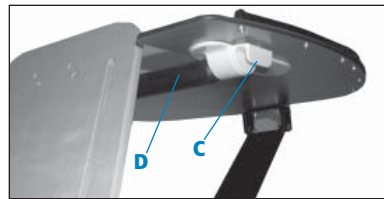


Figure 15c

Hand anchor

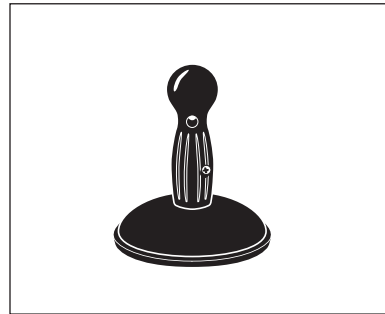
Recommended use

Hand anchors can be used on any of our available trays. They help give the child an anchor to control excessive movement of the arms and encourage stabilization of the shoulder girdle. The child may hold on with both hands for stabilization training or with just one hand to keep the other hand free.

Operation

On a clean smooth Rifton table or tray, press down on suction cup of hand anchor and turn handhold clockwise until secure. To remove, turn handhold counterclockwise.

NOTE: Surface must be very smooth and completely clean to get a strong seal. If suction cup does not hold well, wipe with a damp cloth or apply a thin layer of petroleum jelly around the rim of the rubber pad to enhance the vacuum.



WARNINGS

- Correct use of this product requires the prior approval and ongoing guidance of a qualified therapist or physician. Adult supervision is required at all times.
- This accessory is intended for use on Rifton trays only and is not to be used as a primary support or as a standing support.

CAUTIONS

- Suction cup may release.
- Do not use on thin glass.

Sandals and wedges

Attaching sandals

1. Remove knobs and washers from sandal. Insert bolts through slots in footboard.
2. Replace washers and knobs and tighten securely (C).

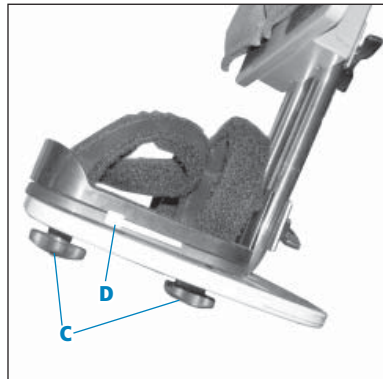
To adjust sandals

1. Loosen the knob (C).
2. Move the sandals to the desired position.
3. Retighten the knobs.
4. The sandal height can be built up, or a toe/heel angle achieved, by using one or more wedges.

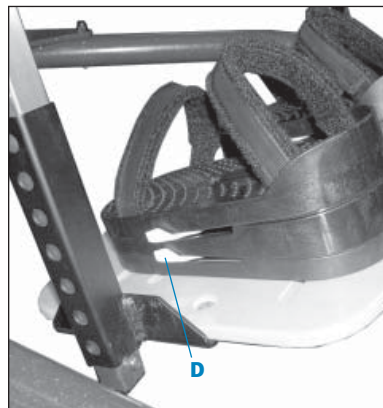
Adding sandal wedges

To add a wedge:

1. Unlatch white latch (D) and remove the sandal from the base.
2. Place the wedge over the base and latch it into place; any number of wedges can be added.
3. Put the sandal on top, and latch it.



Showing E930 and E940 footboard with sandals and wedges.



Showing E950 footboard with sandals and wedges.

Operation

1. Lock all casters and set the foot board height to approximate position, as low as possible for the user's sense of security. The top of the mainboard should reach the user's chest.
2. Crank mainboard to appropriate angle. This depends on whether the user is transferring from a bed, wheelchair, or other position.
3. Open straps on mainboard and move support blocks out as far as possible.
4. Set sandals to approximate positions and open the straps.
5. Assist the user to standing position with the help of a second person if appropriate. Maintain complete support as you fasten the hook-and-loop straps. (Remember that straps adjust vertically.) Be sure to secure cross strap (X) on E930 small stander and fasten securely.
6. Position lateral support blocks as required.
7. Fine-tune all adjustments, starting with the sandals. Tighten all knobs.
8. Adjustment of the tilt angle with the handcrank can take place at any time once the user is securely in the stander.
9. Support blocks can be attached at the same vertical position as the straps. Simply move the support blocks from under their original clamp to the clamp for the straps by sliding the bracket under the strap clamp and tightening the knobs.

CAUTION

For safety, keep all four casters locked at all times, whether the Prone Stander is occupied or unoccupied, except when actually moving it. At the "off" setting, the Prone Stander rolls easily.

To prevent accidents:

1. For heavy or large children, two caregivers may be needed to safely transfer the child in or out of stander.
2. Use care when transferring a child. Keep the caster brakes locked at all times while the stander is in use.
3. Never leave child unattended. Be sure all straps are securely fastened around child.

Maintenance 🧑🏻‍🔧

Every month, check lubrication of the threaded rod which drives tilting mechanism. If it seems dry, apply general purpose grease with a brush to the length of the rod.

Twice a year check bolts securing crosspieces of frame and tighten if necessary.

Periodically inspect for cracks, breaks, loose or missing parts, and malfunctions. Remove the product from service when any condition develops that might make operation unsafe.

Cleaning 🧑🏻‍🔧 🏠 🧑🏻‍🔧

Remove sandals, straps and pads. Wash wooden parts with soap and water but not too wet because finish is not water proof. Wipe metal parts with damp rag. Clean upholstery with soap and water or an imitation leather cleaner.

Materials 🧑🏻‍🔧

- Steel hardware items (nuts, bolts, screws, etc) are typically zinc or nickel plated, or stainless steel.
- Upholstery items (pads, support blocks, padded prompts, etc) are typically fire-retardant polyurethane foam with a fire-retardant cover made from expanded vinyl.
- Frames are typically steel or aluminum tubing, welded together, and coated with a baked-on paint finish. Some frame components may also be stainless steel.
- Tires are tubeless, filled with polyurethane foam, and do not require inflation.
- Straps are typically made of polypropylene or nylon webbing.
- Wooden components are typically birch plywood, solid maple, or laminated hardwood veneers, finished with a clear polyurethane lacquer.
- Tabletops are typically high-pressure laminate (Formica).
- Plastic components are typically injection molded from a variety of industrial resins.

All materials are latex, lead and phthalates free.

User modifications 🧑🏻‍🔧 🏠 🧑🏻‍🔧

We recognize that some clients may benefit from modifications made in the field. However, we cannot be responsible for customer modifications to our products without our supervision, testing, and evaluation.

Rifton Contact Info



Online

www.Rifton.com
Sales@Rifton.com



Phone

800.571.8198
9-5 EST



Mail

Rifton Equipment
PO Box 260
Rifton NY 12471-0260



Fax

800.865.4674

To order replacement parts

1. Locate the serial number of the product on the small white label.
2. Have this number available when you call **800.571.8198** for your customer service representative.

Use only replacement parts supplied by Rifton Equipment.

VH97 ECO N/A Revision U